

- 1
- 2
- 3
- 4
- 5
- 6
- 7
- 8
- 9
- 10
- 11
- 12
- 13
- 14
- 15
- 16
- 17
- 18

STANDARD EXECUTIONS

- **GN 1130-ST**: pin and lifting ring made out of heat-treated steel, manganese phosphate.
- **GN 1130-NI**: AISI 630 stainless steel pin, AISI 316Ti stainless steel lifting ring.

BALLS AND SPRING

Stainless steel.

PUSH BUTTON

Anodised aluminium, red colour.

HEXAGONAL-HEAD SCREW AND NUT

AISI 316 stainless steel.

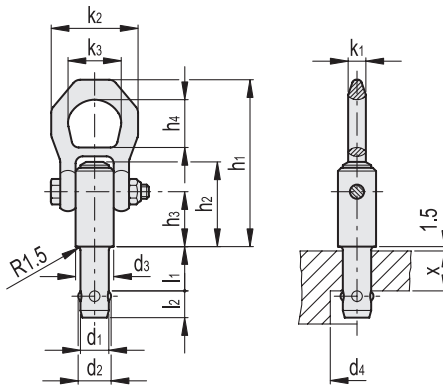
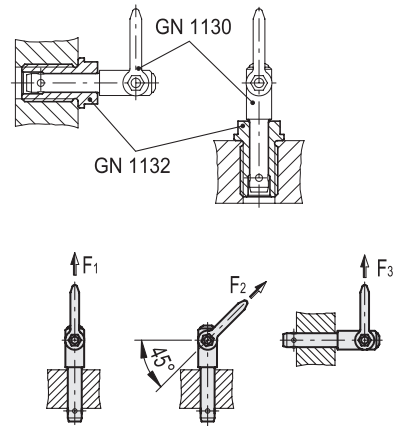
FEATURES AND APPLICATIONS

By pressing the aluminium red button the four locking balls are released and the pin can be removed from the anchoring hole.

Depending on the direction of traction, the lifting pin can move freely 360° with respect to the anchoring hole (tolerance H11).

For optimal positioning of GN 1130 lifting lock pins use fastening bushings GN 1132 (see page 1096).

Further technical information available in "Operating instructions".

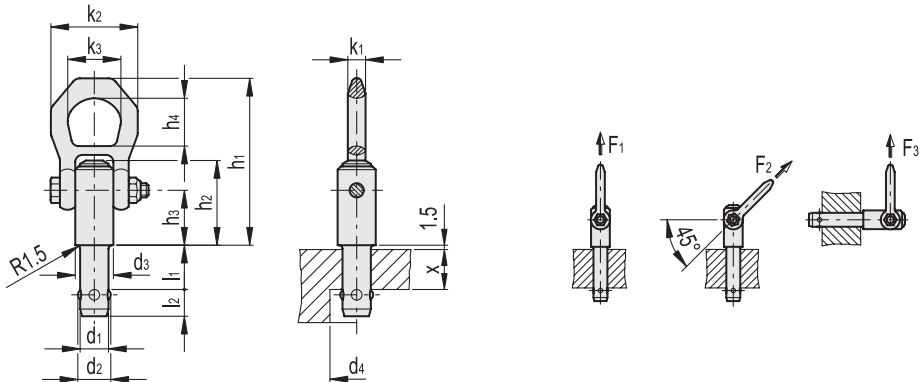


Conversion Table	
1 mm = 0.039 inch	
d1	
mm	inch
8	0.31
10	0.39
12	0.47
16	0.63
20	0.79

GN 1130-ST

		METRIC																	
Code	Description	d1 ^{-0.04} _{-0.08}	d2	d3	d4 min.	h1	h2	h3	h4	k1	k2	k3	l1+1	l2	xmin.	F1 [kN]*	F2 [kN]*	F3 [kN]*	Δ
GN.11302	GN 1130-8-10-ST	8	9.35	21.5	9.9	87.5	38.5	25.7	27	9.5	49	30	10	8.75	5	1.5	1.2	0.5	220
GN.11304	GN 1130-8-15-ST	8	9.35	21.5	9.9	87.5	38.5	25.7	27	9.5	49	30	15	8.75	5	1.5	1.2	0.5	226
GN.11306	GN 1130-8-25-ST	8	9.35	21.5	9.9	87.5	38.5	25.7	27	9.5	49	30	25	8.75	10	1.5	1.2	0.5	229
GN.11308	GN 1130-8-35-ST	8	9.35	21.5	9.9	87.5	38.5	25.7	27	9.5	49	30	35	8.75	20	1.5	1.2	0.5	232
GN.11310	GN 1130-10-15-ST	10	11.7	21.5	12.2	87.5	38.5	25.7	27	9.5	49	30	15	10.2	5	2.7	2.4	2.1	234
GN.11312	GN 1130-10-25-ST	10	11.7	21.5	12.2	87.5	38.5	25.7	27	9.5	49	30	25	10.2	15	2.7	2.4	2.1	239
GN.11314	GN 1130-10-35-ST	10	11.7	21.5	12.2	87.5	38.5	25.7	27	9.5	49	30	35	10.2	25	2.7	2.4	2.1	243
GN.11316	GN 1130-10-50-ST	10	11.7	21.5	12.2	87.5	38.5	25.7	27	9.5	49	30	50	10.2	40	2.7	2.4	2.1	252
GN.11318	GN 1130-12-15-ST	12	14.2	21.5	14.7	87.5	38.5	25.7	27	9.5	49	30	15	11	5	3.5	3.2	2.8	243
GN.11320	GN 1130-12-25-ST	12	14.2	21.5	14.7	87.5	38.5	25.7	27	9.5	49	30	25	11	10	3.5	3.2	2.8	247
GN.11322	GN 1130-12-35-ST	12	14.2	21.5	14.7	87.5	38.5	25.7	27	9.5	49	30	35	11	20	3.5	3.2	2.8	258
GN.11324	GN 1130-12-50-ST	12	14.2	21.5	14.7	87.5	38.5	25.7	27	9.5	49	30	50	11	35	3.5	3.2	2.8	267
GN.11326	GN 1130-16-25-ST	16	18.6	25	19.2	92.5	47.5	31	27	9.5	49	30	25	15.1	10	4.8	4.5	4.1	318
GN.11328	GN 1130-16-50-ST	16	18.6	25	19.2	92.5	47.5	31	27	9.5	49	30	50	15.1	15	4.8	4.5	4.1	350
GN.11330	GN 1130-16-75-ST	16	18.6	25	19.2	92.5	47.5	31	27	9.5	49	30	75	15.1	35	4.8	4.5	4.1	392
GN.11292	GN 1130-20-50-ST	20	24.5	30	25	114	55.9	36.5	32.6	11	56	36	50	19.7	25	10	8.5	6.5	442
GN.11294	GN 1130-20-75-ST	20	24.5	30	25	114	55.9	36.5	32.6	11	56	36	75	19.7	45	10	8.5	6.5	490

Conversion Table 1 mm = 0.039 inch	
d1	
mm	inch
8	0.31
10	0.39
12	0.47
16	0.63
20	0.79



GN 1130-NI

INOX STAINLESS STEEL METRIC

Code	Description	d1-0.04 -0.08	d2	d3	d4 min.	h1	h2	h3	h4	k1	k2	k3	l1+1	l2	xmin.	F1 [kN]*	F2 [kN]*	F3 [kN]*	⚖️
GN.11301	GN 1130-8-10-NI	8	9.35	21.5	9.9	87.5	38.5	25.7	27	9.5	49	30	10	8.75	5	1.5	1.2	0.5	225
GN.11303	GN 1130-8-15-NI	8	9.35	21.5	9.9	87.5	38.5	25.7	27	9.5	49	30	15	8.75	5	1.5	1.2	0.5	228
GN.11305	GN 1130-8-25-NI	8	9.35	21.5	9.9	87.5	38.5	25.7	27	9.5	49	30	25	8.75	10	1.5	1.2	0.5	223
GN.11307	GN 1130-8-35-NI	8	9.35	21.5	9.9	87.5	38.5	25.7	27	9.5	49	30	35	8.75	20	1.5	1.2	0.5	236
GN.11309	GN 1130-10-15-NI	10	11.7	21.5	12.2	87.5	38.5	25.7	27	9.5	49	30	15	10.2	5	2.7	2.4	2.1	233
GN.11311	GN 1130-10-25-NI	10	11.7	21.5	12.2	87.5	38.5	25.7	27	9.5	49	30	25	10.2	15	2.7	2.4	2.1	239
GN.11313	GN 1130-10-35-NI	10	11.7	21.5	12.2	87.5	38.5	25.7	27	9.5	49	30	35	10.2	25	2.7	2.4	2.1	243
GN.11315	GN 1130-10-50-NI	10	11.7	21.5	12.2	87.5	38.5	25.7	27	9.5	49	30	50	10.2	40	2.7	2.4	2.1	252
GN.11317	GN 1130-12-15-NI	12	14.2	21.5	14.7	87.5	38.5	25.7	27	9.5	49	30	15	11	5	3.5	3.2	2.8	243
GN.11319	GN 1130-12-25-NI	12	14.2	21.5	14.7	87.5	38.5	25.7	27	9.5	49	30	25	11	10	3.5	3.2	2.8	247
GN.11321	GN 1130-12-35-NI	12	14.2	21.5	14.7	87.5	38.5	25.7	27	9.5	49	30	35	11	20	3.5	3.2	2.8	258
GN.11323	GN 1130-12-50-NI	12	14.2	21.5	14.7	87.5	38.5	25.7	27	9.5	49	30	50	11	35	3.5	3.2	2.8	267
GN.11325	GN 1130-16-25-NI	16	18.6	25	19.2	92.5	47.5	31	27	9.5	49	30	25	15.1	10	4.8	4.5	4.1	318
GN.11327	GN 1130-16-50-NI	16	18.6	25	19.2	92.5	47.5	31	27	9.5	49	30	50	15.1	15	4.8	4.5	4.1	350
GN.11329	GN 1130-16-75-NI	16	18.6	25	19.2	92.5	47.5	31	27	9.5	49	30	75	15.1	35	4.8	4.5	4.1	392
GN.11291	GN 1130-20-50-NI	20	24.5	30	25	114	55.9	36.5	32.6	11	56	36	50	19.7	25	10	8.5	6.5	442
GN.11293	GN 1130-20-75-NI	20	24.5	30	25	114	55.9	36.5	32.6	11	56	36	75	19.7	45	10	8.5	6.5	490

* Safety feature 5

